

## I. Precaution

To avoid fire or electrical shock, do not expose this product to rain or moisture. To avoid short circuit, please sure the batteries contacts are securely packed and in accordance with local provisions when handling the battery.

Please place the batteries and the parts which can be swallowed mistakenly away from children. Contact a doctor immediately when it occurs.

To avoid possible injury to eyes, do not use the flash light in a short distance from the eyes.

To avoid possible safety accident, do not use the flash light on the people who need a high degree of attention.

Please take out the batteries and stop using immediately in case of below.

- This product is dropped or shocked seriously and the inner part of the product is bared.
- This product is dropped or shocked seriously and the inner part of the product is bared.
- The product gives off strange smell, heats or smokes.

Do not disassemble or maintain this product. Touching the internal high voltage circuit will cause electric shock.

Please take out all the batteries if not use this product for a long time.

## II. Features

### ● Supports Wireless Master Function

The YN560 IV can be used as master unit, provides 3 independent groups with controlling ability, realizing remote control the flash mode, flash output and focal length of the YN560 IV and YN560 III.

### ● Supports Wireless Slave Function, fully supports YN560-TX、RF-603 (I/II) 、RF-602 Wireless transmitter

One YN560 IV can respectively receive the wireless signal from YN560 IV、YN560-TX、RF-603 (I/II)、RF-602, with optional 16 channels; when the YN560 IV and YN560-TX used as transmitter, it can realize remote control the parameter settings.

### ● Multiple Trigger Synchronous Mode Supported

The YN560 IV can triggered through the set top of the camera, 2.4G wireless triggering, S1 and S2 pre flash cancel mode.

### ● Settings Save Automatically, Supports Custom Settings (Fn)

The parameters on the flash will automatically save when the flash turned off; the users can customize setting the flash function as needed.

- **GN58 @ ISO100, 105mm**

High Guide Number 2.4G wireless speedlite, supports M/Multi/— mode.

- **Sound Prompting System**

When the sound prompting system is enabled, the different sound ways will prompt different operating state of the flash so as to allow you focus on shooting.

- **Support Electric Zooming Function**

The flash coverage can be altered between 24~105mm through the [ZOOM] button.

- **Ultra-fast Charging Recycle System, Supports External Power Supply**

Equipped with Big Size LCD Display Screen, Standard PC Synchronous Interface.

### III. Quick Start

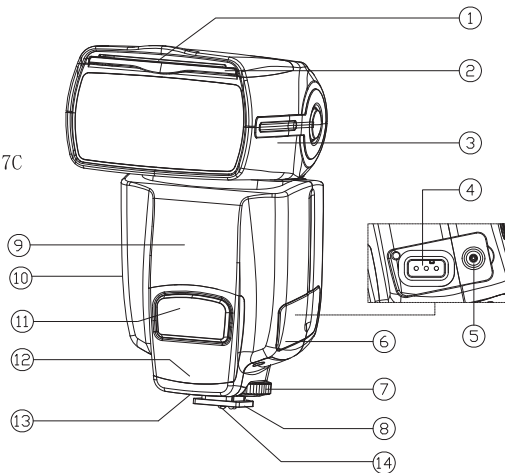
If you don't have much time to read the whole user manual, we advise you to read this section.

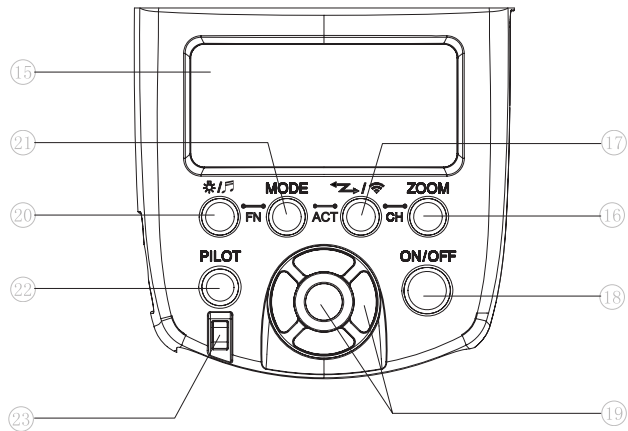
1. Please avoid the excessive use of the output with maximum power. It can effectively extend the service life of this product.
2. You can press the buttons and observe the change on the display screen to understand their respective functions.
3. In the TX state, operate the **【MODE】** + **【Trigger mode】** buttons to transmit the activation command, press the **【OK】** button to terminate transmission.
4. Press the [UP] [DOWN] [LEFT] [RIGHT] buttons can quick adjust the parameters in current mode, some parameters need to press the central [OK] buttons for a few times for settings.
5. Short press the [Trigger mode] button can switch between set-top mode, TX master flash mode, RX slave flash mode, S1/S2 slave flash mode.
6. Use the RX slave flash mode, operate the **【ZOOM】** + **【Trigger mode】** buttons to set the channel (CH1~CH16) .
7. Operate the **【MODE】** + **【Backlight/Sound】** buttons to enter into the Advanced Options Settings, for details please refer to the “Advanced Options Settings” chapter.
8. Through the “Advanced Option” select <rF 603>, then set to <rF 602> through the [LEFT] [RIGHT], then can be used with the RF-602 transmitter.

9. The Speedlite provides M/Multi mode, can be switched through the [MODE] button.

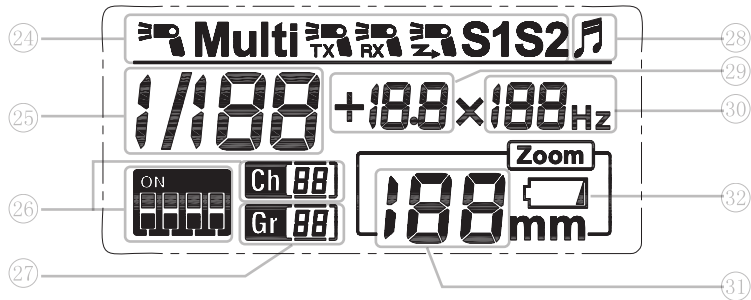
#### IV. Components Descriptions

1. Reflection board
2. Wide panel
3. Flash head
4. External power socket  
(can be connected to the SF-18C or SF-17C charging battery pack)
5. PC port (input)
6. Connector cover
7. Fixed knob
8. Hot shoe stand
9. 2.4G Wireless receive module
10. Battery cover
11. Photosensitive trigger sensors
12. Off-camera indicators
13. Sound prompt hole
14. Hot shoe contact





- 15. LCD Screen:** Clear and visually display the functional status information.
- 16. Flash head zoom range button (ZOOM):** Through the [ZOOM] button can set the focal length coverage (24, 28, 35, 50, 70, 80, 105mm) .
- 17. Trigger mode button (Z→/📶):** Operate the [trigger mode] button can switch between set-top/TX/RX/S1/S2.
- 18. Power switch (ON/OFF) :** Long press the power switch for 2 second to turn on or off the power source.
- 19. Set/Select button group:** Including the [LEFT] [RIGHT] [UP] [DOWN] and the central [OK] button; through these buttons can set the flash output, output fine tuning, number of strobe flashes, flash frequency, advanced option settings, radio communication channel CH and etc.
- 20. Backlight/Sound switch button (🌟/🎵):** Short press to turn on or off the LCD backlight, long press to turn on or off the sound prompt function.
- 21. Mode switch button (MODE):** Each press the [MODE] button, the flash mode will switch between M/Multi.
- 22. Charge indicator/Test button (PILOT):** Red lamp indicates charging is completed and flash is enabled; green lamp indicates charging is being on, and press this button (PILOT), the speedlite will emit test flash.
- 23. Signal indicator:** When the Speedlite receive the radio signals from the RF-602 or RF-603, the signal indicator light will light on.



- 24. Flash mode/trigger mode indicator instruction
- 25. Output power instruction
- 26. Channel instruction
- 27. Grouping instruction
- 28. Sound prompt

- 29. Stroboscopic flash count indicator/Output level fine
- 30. Flash frequency instruction
- 31. Focal length instruction
- 32. Low battery indicator



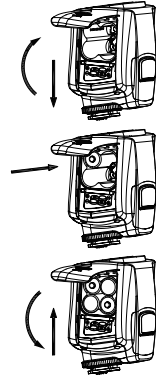
## V. Installation Instruction

### 1. Install Batteries

Slide the batteries chamber's cover in the direction of the arrow.  
Insert the batteries according to the label inside battery chamber.  
Make sure the direction of the batteries' polarity is correct.  
Close the battery chamber cover in the direction of the arrow.

### 2. Attaching to the Camera

Loosen the [Fixed knob] by rotating it in the direction of the arrow as shown.  
Slip the speedlite [Hot shoe stand] into the camera hot shoe.  
Turn the [fixed knob] in the direction of the arrow tighten.  
To detach the speedlite, loosen the [Fixed knob] by rotating it in the opposite direction.



## VI. Basic Functions

### 1. Basic operations

Button Operation:

Component	Operation
Power switch	Long press the buttons for two seconds to turn on or off the flash power. It is recommended to take out the batteries after turning off the power of the speedlite.
[MODE] button	Every press the [MODE] button, the flash mode will switch between M/Multi.
[[Trigger mode] button	Operate the [Trigger mode] button can switch between set-top/TX/RX/S1/S2.
Backlight/Sound switch button	Short press to turn on or off the LCD backlight, long press to turn on or off the sound prompt function.
Set/Select button group	Including the [UP] [DOWN] [LEFT] [RIGHT] and the central [OK] button; through these buttons can set the flash output, output fine tuning, number of strobe flashes, flash frequency, advanced option settings, radio communication channel CH and etc.
[ZOOM] button	Through the [ZOOM] button can set the focal length coverage, the flash focal length will be switch between (24, 28, 35, 50, 70, 80, 105mm) by each press.
[PILOT] button	Charge indicator, press the button can test the flash output or waken the flash dormancy.

TX master mode and RX slave mode grouping display status and meaning:

Grouping display status	Meaning	
	TX master flash mode	RX slave flash mode
Gr --	The flash mode, flash output and focal length of the on camera master flash can be adjusted at the moment.	
Gr A	The flash mode, flash output and focal length of the off camera Group A flash can be adjusted at the moment.	The unit used as a slave flash unit in Group A.
Gr B	The flash mode, flash output and focal length of the off camera Group B flash can be adjusted at the moment.	The unit used as a slave flash unit in Group B.
Gr C		The unit used as a slave flash unit in Group C.
Gr d		The unit used as a slave flash unit in Group D.
Gr E		The unit used as a slave flash unit in Group E.

[Charge indicator] Status

Status of [Charging Indicator]	Meaning	Operation
Red light	The speedlite is fully charged, the flash enabled.	Normal.
Green light	The speedlite has not been fully charged, or lack of electricity.	If the green light light on for a long time, please replace new battery.
Red light blinking	The speedlite is in in dormant status.	Press the PILOT or ON/OFF button to waken the speedlite.

The meaning of [Sound Prompt]

Sound mode	Meaning	Operation
Tick twice	Speedlite started/ sound switch enabled/ flash enabled	Normal.
Three tick, two times	Speedlite in charging status	Wait for fully charged.
Continuous rapid sound	Lack of electricity, the speedlite is about to shut down.	Please replace the batteries.
Tick-a long sound	The speedlite is fully charged, flash enabled.	Normal.

## **2. Turn on and off the power.**

Long pres the **【ON/OFF】** button for 2 seconds to turn on or off the power source. It is suggested the batteries should be taken out after power of speedlite is turned off through this button.

After turning on the power of the speedlite,when the [charging indicator] is red, indicates the speedlite is available.

If the batteries lack of electricity, the charging time excess 25 seconds, the speedlite will automatically shut down,at the moment new batteries need to be replaced.

You can press the [PILOT] button to test whether the speedlite works normally.

After use, turn off the speedlite by pressing the [ON/OFF] button for 2 seconds.

## **3. M Mode**

In M mode, you can set flash output according to your preferences, adjust through the [Left], [Right], [Up] and [Down] button. Adjustment range of flash output is 1/128~1/1, and the flash output can be divided into 8 grades,each has maximum three grades for output fine tuning, with grade 0.3EV and 0.5EV as adjustment increment.

When shooting, you just need to set flash output, adjust the camera and press the shutter; the speedlite will flash according to the sync signal of the camera.

#### **4. Multi Mode**

Multi mode is strobe mode. In Multi mode, the speedlite will flash according to the output power, flash frequency and number of flashes you set. Use the [LEFT] and [RIGHT] buttons to adjust output power. The adjustment scope of output power is 1/128-1/64-1/32-1/16-1/8-1/4. To adjust the number of flashes and flash frequency, please long press the [OK] button to enter into the setting status, then short press the [OK] button to select the items (flash) to be set, use the [LEFT] and [RIGHT] buttons to adjust the number of flashes and flash frequency.

Note: In TX mode, the set top master unit flash could not set to Multi mode. The charging speed of speedlite will be slow under the situation that the electricity quantity of the battery is insufficient, which may cause the leakage of the stroboscopic flash. Please reduce the flash frequency or change new battery under this situation.

#### **5. TX Master Flash Mode**

By pressing [Triggering Mode] button, TX master mode is selected. TX master mode transmitting signal through 2.4G wireless radio, which make it possible to directly trigger YN560 IV as a master unit and the RX slave flash mode of YN560 III. It can also be used as the TX module for the wireless transceiver RF-602 and RF-603 (II).

With TX mode of YN560 IV, you can remote adjust the flash mode, flash intensity and focal length of the YN560 III/YN560 IV which is set in RX mode.

Please note: If your YN560 III hasn't been activated, please activate it with YN560 IV before use, and then the group control function will work normally. Activation steps: ①Set YN560 IV as TX master mode and set YN560 III as RX slave mode; ② Enter into the Custom Options of YN560 IV and YN560III respectively to select the same signal transmitting mode (RF-602/RF603), and then set the same channel; ③Press [MODE] + [Triggering Mode] to enter into active signal TX state; when YN560 III receive the active signal, please press [OK] button to confirm activation is completed. After the activation is completed, a GR symbol will appear on the LCD screen of YN560 III.

## **6. RX Slave Mode**

RX slave mode can be selected through pressing down button [Triggering mode]. When YN560 IV is set as a slave unit, it respectively supports YN560 IV, YONGNUO wireless transceiver YN560-TX, RF-602, RF-603(II) and RF-605. Choose to support RF-602 or RF-603 signal triggering from the Advanced Options settings, provided with 16 channels (CH1~CH16). Just set the slave unit YN560 IV to the same channel as the master unit YN560 IV, YONGNUO wireless transceiver YN560-TX, RF-602 or RF-603(II) the wireless flash can be realized in using.

## **7. S1/S2 Slave Mode**

By pressing the [Triggering Mode] button, the flash will step into the S1/S2 mode. These

two modes are suitable to be used as off-camera auxiliary light, so as to create a variety of lighting effects. They are suitable for manual flash environment and TTL flash environment respectively.

Under these two modes, the way to adjust the output level is like that in M mode, which is to press the [RIGHT/LEFT] and [UP/DOWN] button. When using S1/S2 mode, you can rotate the flash head to make the wireless triggering sensor face with the master light.

S1 mode: When the flash is in S1 mode, it will work with the first work of the master flash synchronously, with the result consistent with the use of radio slave. To use this mode correctly, the master flash should be set at manual flash and the TTL flash system with pre-flash function and the red-eye reduction function with multiple flashes should not be used.

S2 mode: It's also called "pre-flash cancel mode". This mode is similar with S1 mode, but it can neglect the pre-flash given by TTL flash. Therefore, it can support the main flash working in TTL mode. In particular, if S1 mode cannot flash correctly and synchronically with your internal flash, you can try to use S2 mode.

The following situation shall be avoided when the S1 and S2 mode are used: the red-eye reduction function of the main light is used; the order mode (Nikon) or wireless mode (Canon) of the master is used; the ST-E2 is used as the flash controller; the stand is connected with transceiver.



## 8. Test Flash

Whether in any mode, you can press PILOT button to test if the speedlite flashes normally. When testing the speedlite, the speedlite will give flash at relevant output level in accordance with the chosen output power settings.

## 9. Power Saving Mode

In different flash mode, YN560 IV will perform a variety of power-saving mode. For example, <SE of 3 30> denotes flash-top use, it will go to sleep mode after idling for 3min, and turns off automatically after idling for 30min.

The YN560 IV has three different power saving mode, S1/S2 flash power saving mode, RX radio flash power saving mode. Various power-saving modes can be set through the Advanced Options. Methods to set up: operate [Illumination/Sound] + [MODE] to enter the Advanced Options setting status, select the item to be set through buttons [UP] or [DOWN], and then adjust the parameter through [LEFT] or [RIGHT] buttons.

Power saving modes can be set through Advanced Options are as follows:

Fn Options	Scope of Application	Power saving mode
SL EP on/--	All modes	Power saving mode is turned on or off
SE of 3 30/15 60/30 120/- - 120	Camera set-up	3 30/15 60/30 120: Keeping idle for 3/15/30 minutes will enter the dormancy state and 30/60/120 minutes will shut down the speedlite. - - 120: No dormancy. Shut down after keeping idle for 120 minutes.
Sd 30/60/120	S1/S2 slave flash modes	30/60/120: No dormancy. Shut down after keeping idle for 30/60/120 minutes
Sd 5 30/15 60/30 120/ -- 120	RX slave flash modes	5 30/15 60/30 120: Keeping idle for 5/15/30 minutes will enter the dormancy state and 30/60/120 minutes will shut down the speedlite. - - 120: No dormancy. Shut down after keeping idle for 120 minutes.

## 10. Overheating Protection

If the speedlite is used too frequently, its overheating protection function will be triggered, and the speed of charging will be slower as normal. In such case, please wait for about 3 to 5 minutes to cancel the protection. To prevent the bad effect on

the shooting, please try to use the 1/4 output or lower when rapid shooting is needed.

### 11. Manually Set the Zooming Position

By pressing [ZOOM] button, you can manually set the zooming position. The covered focal length of the speedlite will switch in circle of (24/28/35/50/70/80/105mm), and the zoom setting results will be displayed on the LCD screen.

### 12. Sound Prompt

Under the condition that the sound indicator is enabled, the speedlite will give different sounds to indicate its working situations. The meanings of the sounds can be found in the table below:

The sound form	Meaning	Operation
Tick twice	The speedlite is started/ Sound prompt is enabled/ Flash is obtained.	Normal
Tick three times	The flash is in the charging state	Waiting for the completion of charging
Continuous and quick ticks	The power is not enough; speed-lite will be off.	Please replace the batteries.
Tick---a long sound	The speedlite is fully charged and can be used.	Normal

### **13. PC Synchronous Port (for input)**

By connecting to the PC synchronous port, you can make the flash synchronously.

### **14. Automatic Setting Saving**

The speedlite will automatically save the current settings in order to let you have a simpler use next time after boot.

## **VII. The Advanced Application**

### **1. Multi-flash Lighting Application**

(1) TX master control mode

With TX mode of YN560 IV, you can remote control the flash mode, flash intensity and focal length of YN560 III/YN560 IV which is set in RX mode according to your need.

For instance, the steps for remote adjusting flash mode, flash intensity and focal length of group A YN560III: just press [OK] button on YN560 IV which is in TX mode till there is a <GR A> symbol displaying in the group display area, then you can directly adjust the flash mode of group A flash by pressing [OK] button, the focal length of group A flash by pressing [ZOOM] button, and the flash intensity by pressing directional buttons.

(2) RX/S1/S2 slave mode

YN560 IV is provided with not only S1/S2 slave mode but also RX slave mode.

When using S1/S2 slave mode, built-in flash or the top external flash shall be used as the main flash; when using RX slave mode, directly trigger by using the TX master mode of YN560 IV, RF-602/RF-603 (II), and RF-605, please note that you should just set compatible [RF-602] or [RF-603] triggering method in the flash Advanced

Options settings of YN560 IV, and set the channel same as the main control terminal. S1/S2 slave mode can meet your basic lighting demand. When using S1/S2 slave mode, do not place obstacles between the main flash and the slave flash, if not, the obstacles would hinder the transmission of a wireless signal. When photosensitive triggering the flash, the maximum distance indoor is up to 25m and the maximum distance outdoor is up to 15m.

Using RX slave mode, it will effectively reduce the impact of obstacle on the radio signal, at the same time, you can get farther triggering distance and the maximum distance will be up to 100m.

## **2. The Use of External Charging Box**

You can buy YONGNUO external charging boxes like SF-18C or SF-17C and connect it to the charging port of the flash. After flash, the charging box will charge the speedlite.

## **3. High-speed Continuous Shooting**

The flash can realize the high-speed continuous shooting function. Please set the camera in the continuous shooting form and then shoot.

Please note: The number of photos that can continuous shot is related with the output level. Please use the fully charged battery.

#### 4. Rear-curtain Sync

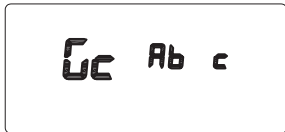
You can use slow-speed shutter to produce trailing smear for the object and the speedlite will flash at the moment when the shutter is going to be shut, which means the rear-curtain sync function (the rear-curtain sync function needs the camera's own support and you can refer to the camera's user manual for its setting method).

Please note: the rear-curtain function will be realized in using only when Canon camera is able to communicate with the speedlite.

#### 5. Advanced Options Setting

YN560 IV has advanced options function. You can customize speedlite function as you need, set advanced options with button group of the speedlite. Setting method of the buttons of the speedlite: press [Illumination/Sound] and [MODE] button to enter into the setting state of advanced options function, select setting items by pressing [UP] and [DOWN] buttons, and, adjust parameters of each item by pressing [RIGHT] and [LEFT] buttons. The LCD screen shall show set items, for example, <SE of 3 30> means the application at the roof, the speedlite shall automatically sleep if it is idle for 3 minutes, and automatically power off if it is idle for another 3 minutes.

Advanced options function supported by YN560 IV is as following:



Gr A: TX master state supports remote control the parameters of Group A;

Gr Ab: TX master state supports remote control the parameters of Group A and B;

Gr Ab c: TX master state supports remote control the parameters of Group A, B and C.

SL EP on: Auto power off is enabled  
SL EP --: Auto power off is disabled

SE oF 3 30/15 60/30 120: Keeping idle for 3/15/30  
minutes will enter the dormancy state and 30/60/120  
minutes will shut down the speedlite.

SE oF -- 120: No dormancy. Shut down after keeping idle  
for 120 minutes.

Sd 30/60/120: S1/S2 mode, auto power off cancels within  
30/60/120 min

Sd 5 30/15 60/30 120: RX mode, keeping idle for 5/15/30  
minutes the flash will enter the dormancy state and  
30/60/120 minutes will shut down the speedlite.

Sd -- 120: No dormancy. Shut down after keeping idle for  
120 minutes.

SL EP on

SE 3 30  
oF

Sd 60

Sd 5 30

Lcd 7/15/30: The display time of LCD backlight is 7/15/30 seconds.

A rectangular box with a thin black border containing the text 'lcd 7' in a black, monospaced font.

So nd on: Sound prompt function is enabled  
So nd --: Sound prompt function is disabled

A rectangular box with a thin black border containing the text 'So nd on' in a black, monospaced font.

I nc 0.3: 0.3ev for fine-tuning step  
I nc 0.5: 0.5ev for fine-tuning step  
I nc 0.3 5: Mix 0.3ev and 0.5ev for fine-tuning step

A rectangular box with a thin black border containing the text 'Inc 0.3 5' in a black, monospaced font.

qu ic --: Quick turn on/ shut down function is disabled  
(Default)  
qu ic on: Quick turn on/ shut down function is enabled

A rectangular box with a thin black border containing the text 'qu ic --' in a black, monospaced font.



rF 603: Compatible with RF-603 wireless transmitter

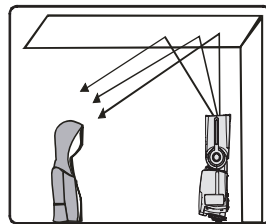
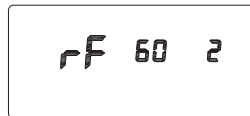
rF 602: Compatible with RF-602 wireless transmitter

CL EA --: Restore the default settings (Hold the [OK] button to restore the default settings)

## 6. Reflection Flash

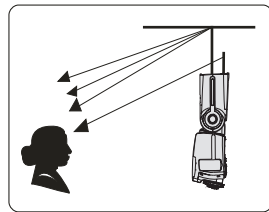
Bounce flash means to take photos by making flash light head aimed at wall or ceiling and using the light reflected back from the ceiling or wall to light the desired object so that the shade behind the object can be decreased to get more natural shooting effect.

If the wall or ceiling is too far, the bounce flash may be too weak to get enough exposure. The wall or ceiling should be even and white in order to get efficient reflection; if the reflection surface is not white, color cast may appear in photo.



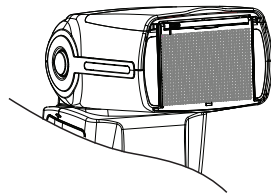
### 7. Use Reflection Board to Take Photos

With the reflection board flash, draw the reflection board and the wide-angle diffusion board out from the light head at the same time and then push the wide-angle diffusion board back. In such case, if this product is being used to take photos, it will produce a highlighted point on the eyes of the subject and thus make the eyes charming (catch light). This function can reach optimal effect when the flash head is up 90.



### 8. Use Wide-angle Diffuser

Pull out the wide-angle diffusion board, push back the reflection board and arrange them as per the figure; in such case, the flash scopes will extend and the flash effect will be softer and more natural.



## VIII. Specifications

Circuit design	Insulated Gate Bipolar Transistor (IGBT)
Guide No.	58(ISO 100, 105mm)
Flash mode	M, Multi
Triggering mode	Camera set-up, TX, RX, S1, S2
Zoom range	24, 28, 35, 50, 70, 80, 105mm
Vertical rotation angle	-7~90 degrees
Horizontal rotation angle	0~270 degrees
Power supply	4×AA size batteries (Alkaline or Ni-MH are usable)
Lighting times	100~1500 times (AA alkaline cell used)
Recycle time	approx 3s (AA alkaline cell used)
Color temperature	5600k
Flash time	1/200s~1/20000s
Flash control	8 levels of output control (1/128~1/1), 29 levels of fine tuning
External interface	hot shoe, PC port and external charging port
Wireless triggering distance	20~25m indoor (Optical control), 10~15m outdoor, 100m(2.4G wireless)
Additional features	the electronic flash head zooming, sound prompt, PC sync, power saving mode, overheating protection and auto save settings
Dimensions	60×190×78mm (Extended state)
Net weight	350g
Accessories	Flash light (1), protecting bag (1), mini stand (1) and manual (1)

Guide Number of different focal length range (at ISO 100, in meters/feet)

Flash Output	Flash Coverage (mm)							
	14	24	28	35	50	70	80	105
1/1	15/49.2	28/91.9	30/98.4	39/127.9	42/137.8	50/164	53/173.9	58/190.3
1/2	10.6/34.8	19.8/65	21.2/69.6	27.6/90.7	29.7/97.4	35.4/116.1	37.5/123	41/134.5
1/4	7.5/24.6	14/45.9	15/49.2	19.5/64	21/68.9	25/82	26.5/86.9	29/95.1
1/8	5.3/17.4	9.9/32.5	10.6/34.8	13.7/45.2	14.8/48.6	17.7/58.1	18.7/61.4	20.5/67.3
1/16	3.8/12.5	7/23	7.5/24.6	9.7/32	10.5/34.4	12.5/41	13.3/43.6	14.5/47.6
1/32	2.7/8.9	4.9/16.1	5.3/17.4	6.9/22.7	7.4/24.3	8.8/28.9	9.4/30.8	10.3/33.8
1/64	1.9/6.2	3.5/11.5	3.8/12.5	4.9/16	5.3/17.4	6.3/20.7	6.6/21.7	7.3/24
1/128	1.3/4.3	2.5/8.2	2.7/8.9	3.5/11.4	3.7/12.1	4.4/14.4	4.7/15.4	5.1/16.7

## IX. Possible problem during use and solutions

**1. Please note when use the flash outdoors:** For outdoor application, please avoid direct sunlight to the wireless triggering sensor and ensure normal use of the flash.

**2. Precaution for outdoor use of lambency umbrella:** The lambency umbrella mounted on the flash light outdoors may be blown down easily, and the hot shoe of the flash light may

be broken. Please fix the mounting rack or avoid outdoor use.

**3. Photos are underexposed or overexposed?** Check if the set shutter, aperture and ISO are too near the flash limit or if some settings in relation to flash are proper.

**4. Vignetting appears in photos or only part of the subject is illuminated?** Please check the current coverage of focal length and make sure if the lens focal length exceeds the coverage range of the flash. The product's zooming range is 24~105mm of the medium format system. You can try to pull out the wide-angle diffuser to expand the flash range.

**5. TX master flash mode of YN560 IV is unable to trigger RX mode?** Please check if the triggering signal (RF602/RF603) and the channel of the master unit are consistent with the slave unit, and check if the flash light of this speed-lite is set disabled.

**6. The flash light is abnormal?** Switch off the power of flash light and camera, mount the flash light on the hot shoe of camera, and switch on the power of flash light and camera again. If the abnormality continues, replace the batteries.

The functions of this manual are based on test conditions of our company. Further notice will not be given if the design and specifications change.

The YONGNUO logo in this manual includes the registered trademark or trademark of **SHENZHEN YONGNUO PHOTOGRAPHY EQUIPMENT CO.** Ltd in China or/and other countries (regions). All other trademarks are the property of this respective owners.